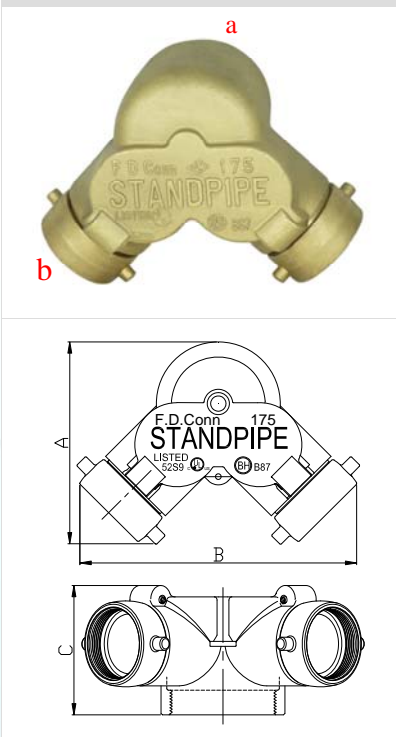




## 90° Double Clapper Two Way Inlets

### BH- 40(B87)



An exposed auxiliary inlet connection with 500G.P.M inlet capacity to supplement fire protection water supply. Exposed design provides an economical method of satisfying Fire Dept. inlet requirements.

#### Standard equipment:

Cast brass two-way inlet body only with double drop clapper and pin or rocker lug hose thread swivel ; angle NPT outlet connection.

#### Optional Finishes:

- RB-Rough Brass
- PB-Polished Brass
- RC-Rough Brass Plated
- PC-Polished Chrome Plated

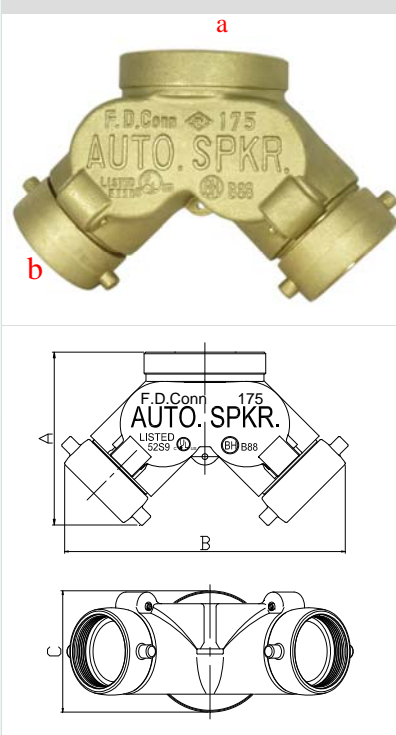


CERTIFICATIONS	a	b
UL FM	4"	2½"

	4" x 2½"
A	8.5"
B	11.6"
C	5.45"

## Straight Double Clapper Two Way Inlets

### BH- 41(B88)



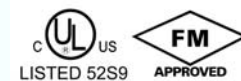
An exposed auxiliary inlet connection with 500G.P.M inlet capacity to supplement fire protection water supply. Exposed design provides an economical method of satisfying Fire Dept. inlet requirements.

#### Standard equipment:

Cast brass two-way inlet body only with double drop clapper and pin or rocker lug hose thread swivel ; straight NPT outlet connection.

#### Optional Finishes:

- RB-Rough Brass
- PB-Polished Brass
- RC-Rough Brass Plated
- PC-Polished Chrome Plated



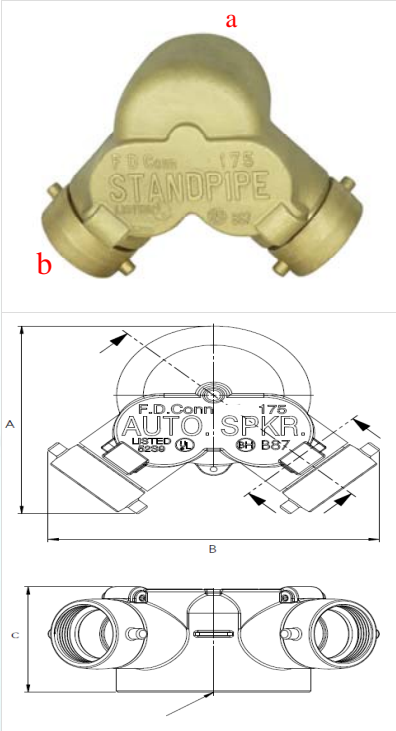
CERTIFICATIONS	a	b
UL FM	4"	2½"

	4" x 2½"
A	8.5"
B	11.6"
C	5"



## 90° Double Clapper Two Way Inlets

BH- 40(B87)



An exposed auxiliary inlet connection with 500G.P.M inlet capacity to supplement fire protection water supply. Exposed design provides an economical method of satisfying Fire Dept. inlet requirements.

**Standard equipment:**

Cast brass two-way inlet body only with double drop clapper and pin or rocker lug hose thread swivel ; angle NPT outlet connection.

**Optional Finishes:**

- RB-Rough Brass
- PB-Polished Brass
- RC-Rough Brass Plated
- PC-Polished Chrome Plated

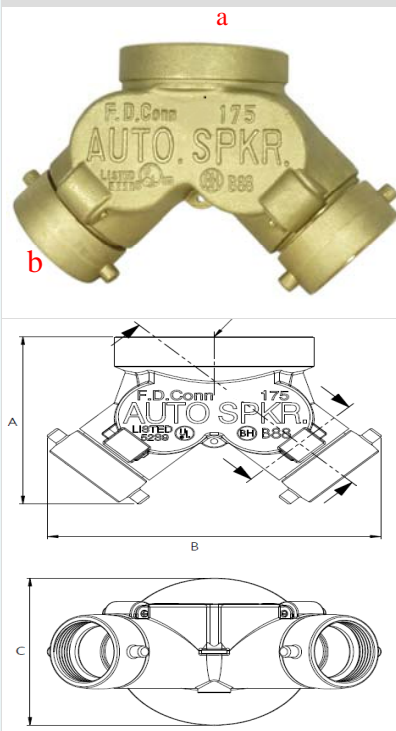


CERTIFICATIONS	a	b
UL	6"	2½"

	6" x 2½"
A	9.7"
B	12.2"
C	5.45"

## Straight Double Clapper Two Way Inlets

BH- 41(B88)



An exposed auxiliary inlet connection with 500G.P.M inlet capacity to supplement fire protection water supply. Exposed design provides an economical method of satisfying Fire Dept. inlet requirements.

**Standard equipment:**

Cast brass two-way inlet body only with double drop clapper and pin or rocker lug hose thread swivel ; straight NPT outlet connection.

**Optional Finishes:**

- RB-Rough Brass
- PB-Polished Brass
- RC-Rough Brass Plated
- PC-Polished Chrome Plated



CERTIFICATIONS	a	b
UL	6"	2½"

	6" x 2½"
A	8.15"
B	12"
C	7.16"

# Fire Department Connections

**COMPANY****EX4078****BAN CHANG HARDWARE CO LTD**

168 LANE 432 LU HO RD, SEC 3

LU KANG

CHANG-HUA, 505 Taiwan



Trademark and/or Tradename:

Note: For additional marking information, refer to the [Guide Information Page](#)*View model for additional information***Exposed Type, Model(s):** [I21](#), [I22](#), [B87](#), [B88](#), [S201B](#), [S202D](#)[Last Updated](#) on 2025-11-07

The appearance of a company's name or product in this database does not in itself assure that products so identified have been manufactured under UL Solutions' Follow - Up Service. Only those products bearing the UL Mark should be considered to be Certified and covered under UL Solutions' Follow - Up Service. Always look for the Mark on the product.

UL Solutions permits the reproduction of the material contained in Product iQ subject to the following conditions: 1. The Guide Information, Assemblies, Constructions, Designs, Systems, and/or Certifications (files) must be presented in their entirety and in a non-misleading manner, without any manipulation of the data (or drawings). 2. The statement "Reprinted from Product iQ with permission from UL Solutions" must appear adjacent to the extracted material. In addition, the reprinted material must include a copyright notice in the following format: "©2025 UL LLC."

## Fig. Nos. B87, B88

### Product Description

Model No	Description	Nominal Size, Inlets x Outlet, in
B87	90° Double Clapper	2 1/2 x 2 1/2 x 4
B88	Straight Double Clapper	2 1/2 x 2 1/2 x 4

*These connections have a 175 psi (1207kPa) rated working pressure.*

## Details

<b>Category</b>	Fire Service Connections
<b>Class of Work</b>	1530 - Fire Department Connections
<b>Approval Standard</b>	FM 1530 - Fire Department Connections
<b>Certification Type</b>	FM Approved
<b>Listing Country</b>	Taiwan

## Company

**Ban Chang Hardware Co Ltd**  
No. 17 Lane 620, Sec 3 Lu Ho Rd,  
Lu Kang Chang Hua, Taiwan  
(R.O.C)

<http://banchang.com.tw>