



HC-104

PRESSURE REDUCING DEVICE ANGLE VALVE



HC-104(DWG.J282)

Pressure Reducing Device Angle Valve 175 Lb. Rated Adjustable restriction of residual pressure up to 175 lb. Locking pin device restricts full opening of valve by untrained personnel, pin may be removed by firefighters to allow full opening of valve.

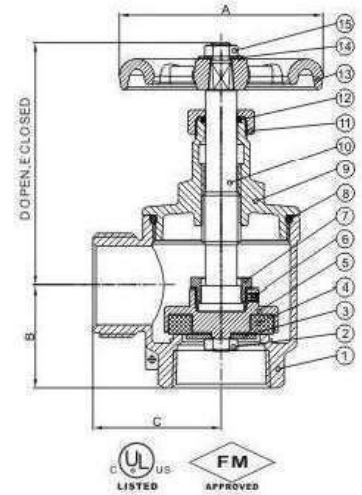
DOUBLE FEMALE

Standard equipment:

- Female NPT inlet and outlet forged brass valve
- Red hand wheel

Optional Finishes:

- PB-Polished Brass
- RC-Rough Chrome Plated
- PC-Polished Chrome Plated



	A	B	C	D	E
1 1/2" x 1 1/2"	3.94	1.97	2.48	4.70	5.71
2 1/2" x 2 1/2"	4.92	2.68	3.11	6.18	7.87

NO	DESCRIPTION	MATERIALS	NO	DESCRIPTION	MATERIALS
1	BODY	ASTM B283 C37700	11	LOCK NUT	ASTM B283 C37700
2	WHEEL NUT	ASTM B283 C37700	12	ORING	NBR
3	WASHER	SS304	13	HANDLE WHEEL	DUCTILE IRON
4	SEAT SEAL	NBR	14	WHEEL WASHER	SS304
5	HOLDER	ASTM B283 C37700	15	WHEEL NUT	ASTM B283 C37700
6	SET SCREW	SS304	16	COLLAR	ASTM B283 C37700
7	LOCK NUT	ASTM B283 C37700	17	WASHER	PA6
8	ORING	NBR	18	SET SCREW	ASTM B283 C37700
9	BONNET	ASTM B283 C37700	19	SET NUMBERS	ASTM B283 C37700
10	STEM	ASTM B283 C37700	20	WIRE	SS304

CERTIFICATE OF COMPLIANCE

Certificate Number 20151217-EX26977
Report Reference EX26977-20151215
Issue Date 2015-DECEMBER-17

Issued to: NINGBO HUACHENG VALVE CO LTD
CHENGGUAN NINGHAI, NINGBO,
ZHEJIANG 315600 CHINA

This is to certify that representative samples of PRESSURE-REDUCING AND -RESTRICTING DEVICES
See next page for Models

Have been investigated by UL in accordance with the Standard(s) indicated on this Certificate.

Standard(s) for Safety: UL 1468 - Standard for Direct Acting Pressure Reducing and Pressure Restricting Valves for Fire Protection Service
ULC/ORD C668-75 - Standard for Hose Valves for Fire Protection Service

Additional Information: See the UL Online Certifications Directory at www.ul.com/database for additional information

Only those products bearing the UL Certification Mark should be considered as being covered by UL's Certification and Follow-Up Service.

Look for the UL Certification Mark on the product.



Bruce Mahrenholz, Director North American Certification Program
UL LLC

Any information and documentation involving UL Mark services are provided on behalf of UL LLC (UL) or any authorized licensee of UL. For questions, please contact a local UL Customer Service Representative at <http://ul.com/aboutul/locations/>



CERTIFICATE OF COMPLIANCE

Certificate Number 20151217-EX26977
Report Reference EX26977-20151215
Issue Date 2015-DECEMBER-17

This is to certify that representative samples of the product as specified on this certificate were tested according to the current UL requirements.

Pressure Restricting Valves of the following models, types, sizes and rated pressures:

Listing	Model	End Configuration	Type	NPS	Rated Pressure, psig(kPa)
USL	J282-121	Female/Male Treaded	Angle (90°)	1.5	175
USL	J282-221	Female/Male Threaded	Angle (90°)	2.5	175



Bruce Mahrenholz, Director North American Certification Program
UL LLC

Any information and documentation involving UL Mark services are provided on behalf of UL LLC (UL) or any authorized licensee of UL. For questions, please contact a local UL Customer Service Representative at <http://ul.com/aboutul/locations/>





APPROVED

Certificate of Compliance

This certificate is issued for the following:

Pressure Restricting Angle Hose Valves

Model J282 in sizes 1-1/2 and 2-1/2 inch NPS

Prepared for:

Ningbo Huacheng Valve Co., Ltd.
Chengguan, Ninghai, Ningbo
Zhejiang 315600
China

Manufactured at:

Ningbo Huacheng Valve Co., Ltd.
Chengguan, Ninghai, Ningbo
Zhejiang 315600
China

FM Approvals Class: 1521/1522

Approval Identification: 3055898

Approval Granted: April 7, 2016

To verify the availability of the Approved product, please refer to www.approvalguide.com

Said Approval is subject to satisfactory field performance, continuing Surveillance Audits, and strict conformity to the constructions as shown in the Approval Guide, an online resource of FM Approvals.

Cynthia E. Frank
AVP, Manager of Building
Materials

FM Approvals
1151 Boston-Providence Turnpike
Norwood, MA 02062



Member of the FM Global Group

Pressure-reducing and -Restricting Devices

COMPANY

NINGBO HUACHENG VALVE CO LTD

No 103 Chezhan East Rd

Huangtan Town

Ninghai, Zhejiang 315600 China

EX26977

View model for additional information

Restricting Valve, Model(s): J282-121, J282-221

Last Updated on 2024-05-20

The appearance of a company's name or product in this database does not in itself assure that products so identified have been manufactured under UL Solutions' Follow - Up Service. Only those products bearing the UL Mark should be considered to be Certified and covered under UL Solutions' Follow - Up Service. Always look for the Mark on the product.

UL Solutions permits the reproduction of the material contained in Product iQ subject to the following conditions: 1. The Guide Information, Assemblies, Constructions, Designs, Systems, and/or Certifications (files) must be presented in their entirety and in a non-misleading manner, without any manipulation of the data (or drawings). 2. The statement "Reprinted from Product iQ with permission from UL Solutions" must appear adjacent to the extracted material. In addition, the reprinted material must include a copyright notice in the following format: "©2024 UL LLC."

Models J281, J282-121

Product Description

Model No	Description	Valve Size		Rated Working Pressure	
		in	(mm)	psi	(kPa)
J281	Standard Hose Valve Female NPT x Male NH, Female NPT x Female NPT, Female NPS x Female NPS	1 1/2	(38)	300	(2065)
J281	Standard Hose Valve Female NPT x Male NH Female NPT x Female NPT Female NPS x Female NPS Female NPT x Male NYC Thread Groove x Male NH Groove x Male NYC Thread	2 1/2	(64)	300	(2065)
J282-121	Pressure Restricting Hose Valve Female NPT x Male NH Female NPT x Female NPT	1 1/2	(38)	175	(1205)
J282-121	Pressure Restricting Hose Valve Female NPT x Male NH Female NPT x Female NPT	1 1/2	(38)	300	(2065)
J282-221	Pressure Restricting Hose Valve Female NPT x Male NH Female NPT x Female NPT Rc x M78x2	2 1/2	(64)	175	(1205)
J282-221	Pressure Restricting Hose Valve Female NPT x Male NH Female NPT x Female NPT Rc x M78x2	2 1/2	(64)	300	(2065)

Details

Category	Hose Valves, Angle
Class of Work	1521 - Angle Hose Valves

Company

Ningbo Huacheng Valve Co. Ltd.
 No 103 East Chezhan Rd,
 Huangtan Town, Ninghai, Ningbo
 City, Zhejiang 315600 China
<http://huachengvalve.com>



Member of the FM Global Group

Approval Standard	FM 1521, 1522 - Angle and Straightaway Hose Valves
Certification Type	FM Approved
Listing Country	China
